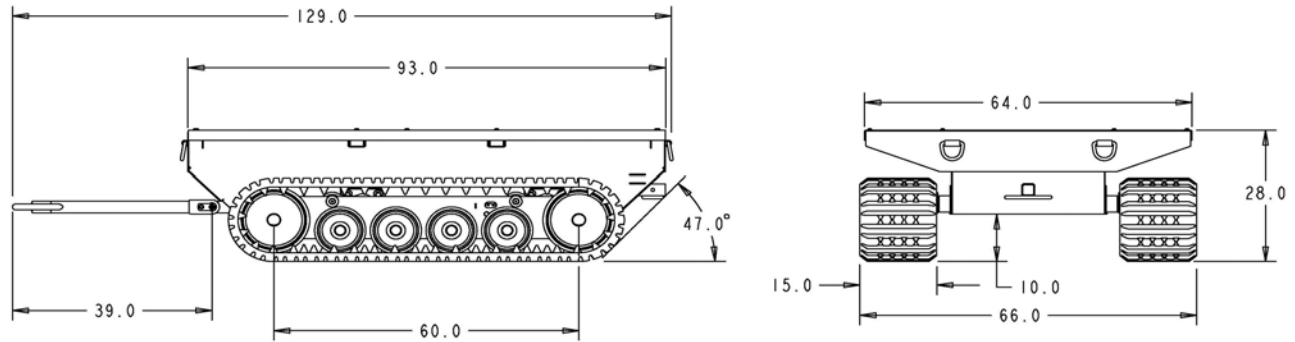


## TRACKED UTILITY TRAILER



- Heavy-duty flat-bed trailer with a large carrying capacity and low ground pressure. Ideal for hauling a wide range of materials or equipment over rugged or soft ground conditions.
- Connects to any vehicle equipped with a two-inch hitch. Ideal for use with Terex compact track loaders or tracked utility vehicle.
- Tracks and many undercarriage components used on the tracked utility trailer are common with Terex® PT-50 and PT-60 compact track loaders and the ST-50 tracked utility vehicle. Tracks on the tracked utility trailer are free-rolling. Rollers are supported by sealed, maintenance-free bearings.
- Trailer includes a 2-inch hitch receiver at the rear so multiple trailers can be “ganged”. Multiple heavy-duty tie down points are available to secure a variety of loads.

## Tracked Utility Trailer Dimensions



## Ordering Reference and Specifications

Operating weight, empty	1,975 lb (896 kg)
Ground pressure, empty	1.12 psi (7.72 kPa)
Track width	15 inches (381 mm)
Track length (on ground)	59 in (1499 mm)
Ground contact area, total	1,770 in <sup>2</sup> (1.14 m <sup>2</sup> )
Bed carrying capacity	7,000 lb (3175 kg)
Gross weight, maximum	9,000 lb (4082 kg)
Ordering Reference	2053-028

Effective date: March 2009. Product specifications and prices are subject to change without notice or obligation. The photographs and/or drawings in this document are for illustrative purposes only. Refer to the appropriate Operator's Manual for instructions on the proper use of this equipment. Failure to follow the appropriate Operator's Manual when using our equipment or to otherwise act irresponsibly may result in serious injury or death. The only warranty applicable to our equipment is the standard written warranty applicable to the particular product and sale and Terex makes no other warranty, express or implied. Products and services listed may be trademarks, service marks or trade-names of Terex Corporation and/or its subsidiaries in the USA and other countries. All rights are reserved. Terex is a registered trademark of Terex Corporation in the USA and many other countries. Copyright © 2009 Terex Corporation.

Terex Corporation  
 840 Lily Lane, Grand Rapids, MN 55744  
 Tel +1 (800) 346-5954 Fax +1 (218) 327-2376  
 www.terex.com

